

# GOODALL® SMARTS

## Air King with Goodall DuraCrimp PMC

### GOODALL AIR KING HOSE CONSTRUCTION

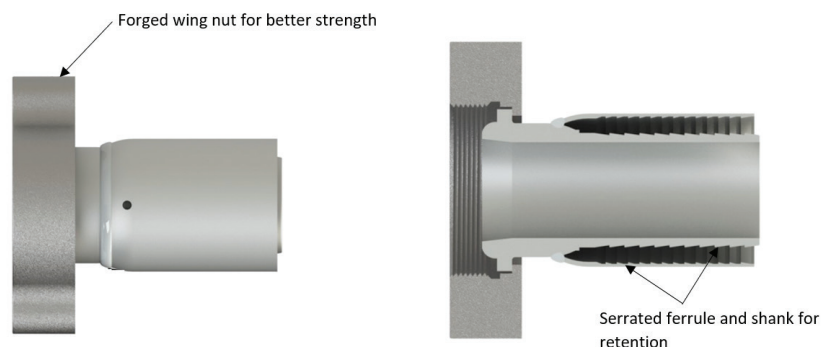
The Goodall Air King is constructed with a smooth extruded oil resistant tube, braided with high tensile steel wire. This greatly increases hose integrity, vastly reducing the likelihood of catastrophic blowouts. Another feature that ranks our air hose above others is the proprietary nitrile compound we use to make our seamless, extruded hose tube. Designed specifically for the job, it maintains its flexibility and doesn't degrade over time.

The Air King hose has been developed specifically for heavy duty air compressors used in construction sites. The robust construction is kink-resistant but still flexible. The reinforcement wire is high tensile brass plated wire, that prevents corrosion but promotes adhesion in the wall of the hose. The cover of the hose is pin pricked to prevent cover blisters and maintain the integrity of the hose.



### GOODALL DURACRIMP

The Goodall Air Hose DuraCrimp fitting is an innovative one piece design. The ferrule is welded on to the hose-shank creating an added safety feature to ensure there is never a separation between the ferrule and the hose shank. The pre assembly process also incorporates the wing nut. The wing nut is forged instead of cast to ensure optimum strength and durability. The shank and the ferrule are both serrated in unison to ensure the compression with the hose for a safe connection. The coupling system is zinc plated to prevent corrosion, and CR6 free.



### GOODALL SOLUTION

Combining the strengths of the Goodall Air King hose and the Goodall DuraCrimp Air solution, creates a unique and innovative solution. The system has been vigorously tested as a system, and reached burst pressures that far exceed the safety ratio of 4:1. The assembly is 100% proof pressure tested before being sent to the customer for use and identified with a unique serialized stainless steel ring. The ring ensures that the information stays with the hose throughout its life without the chance it should become damaged and fall off. This ring identifier is key in tracibility of the assemblies origin and service life. The stainless steel ring is laser engraved to ensure the information is clear and retained.

